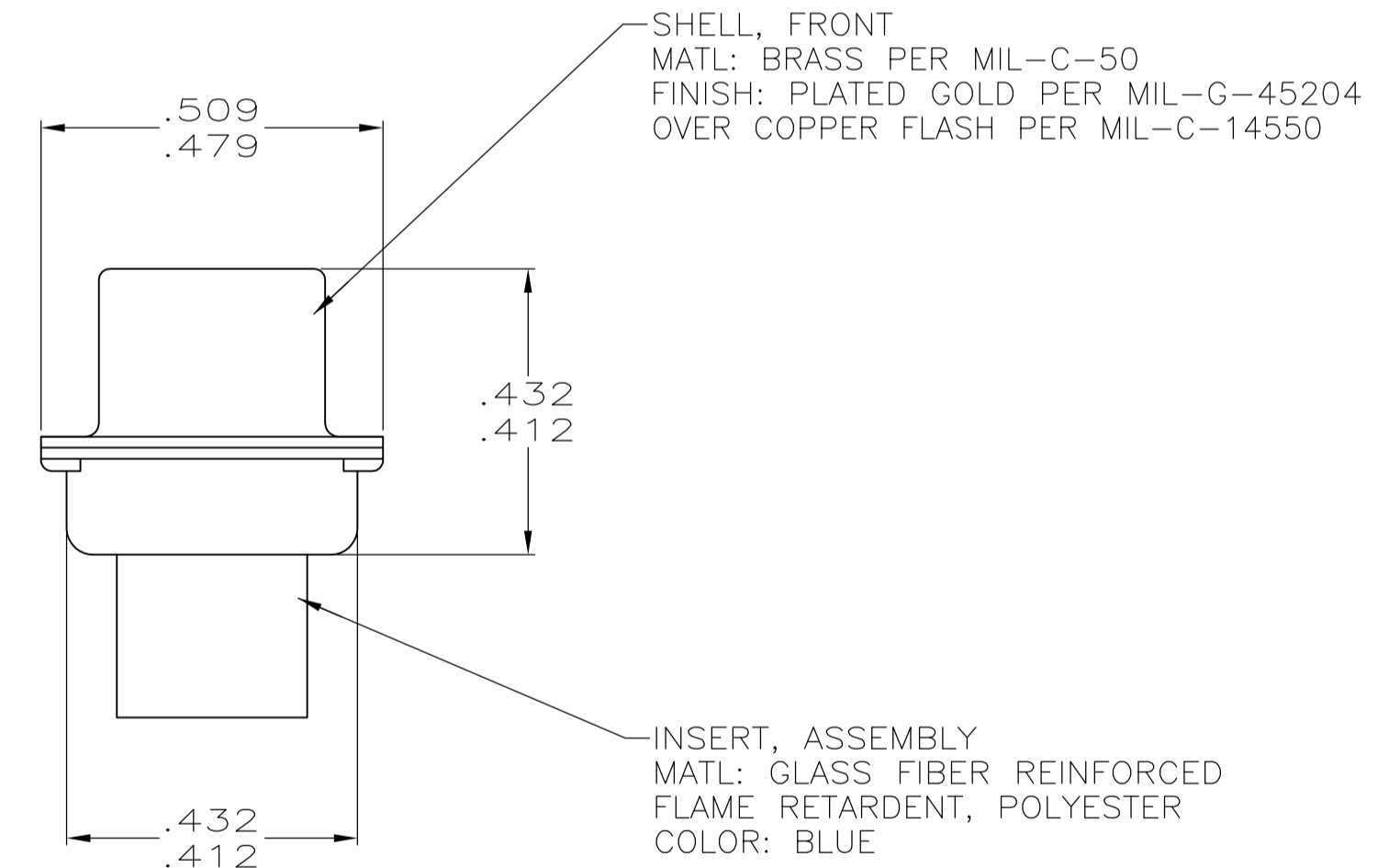
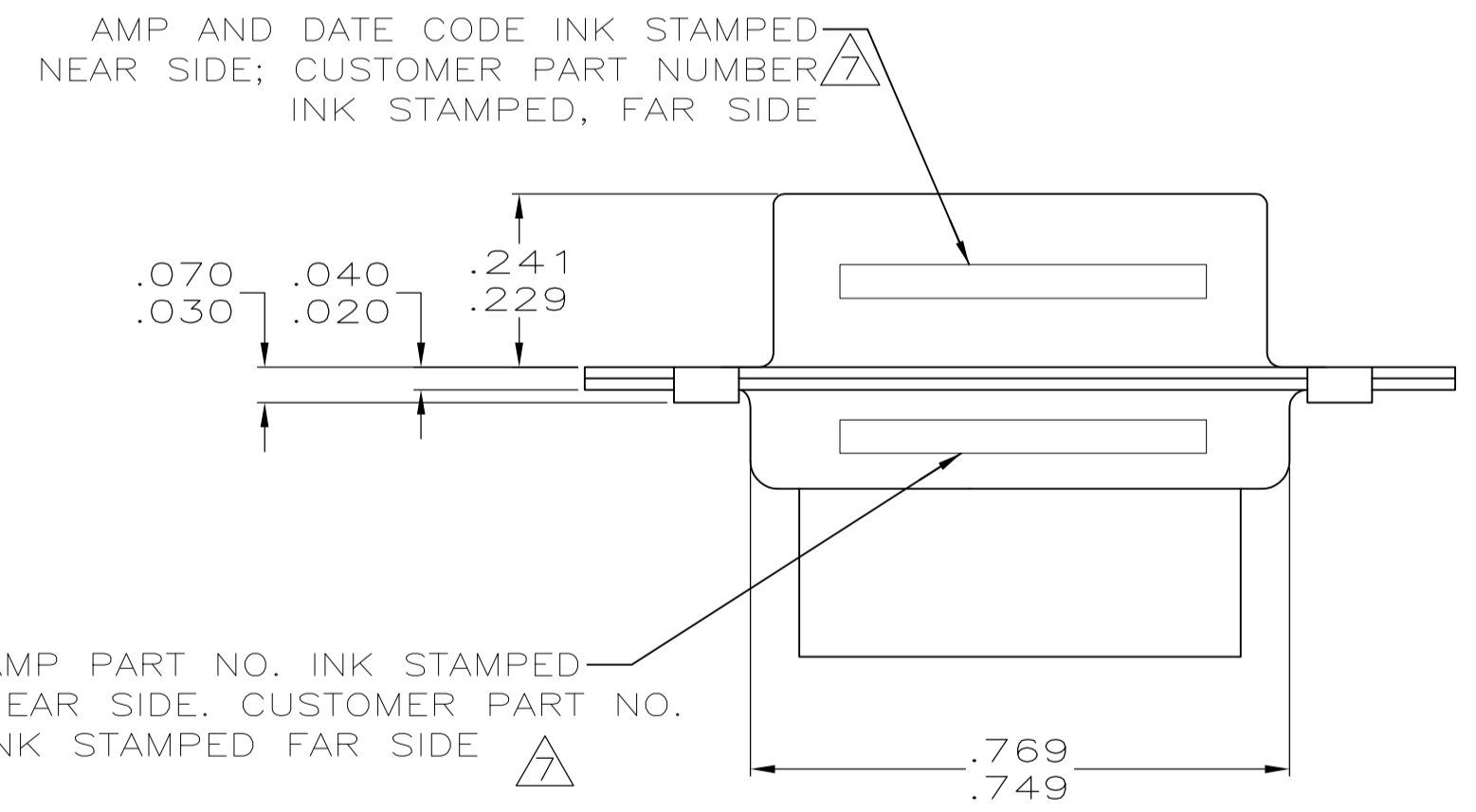
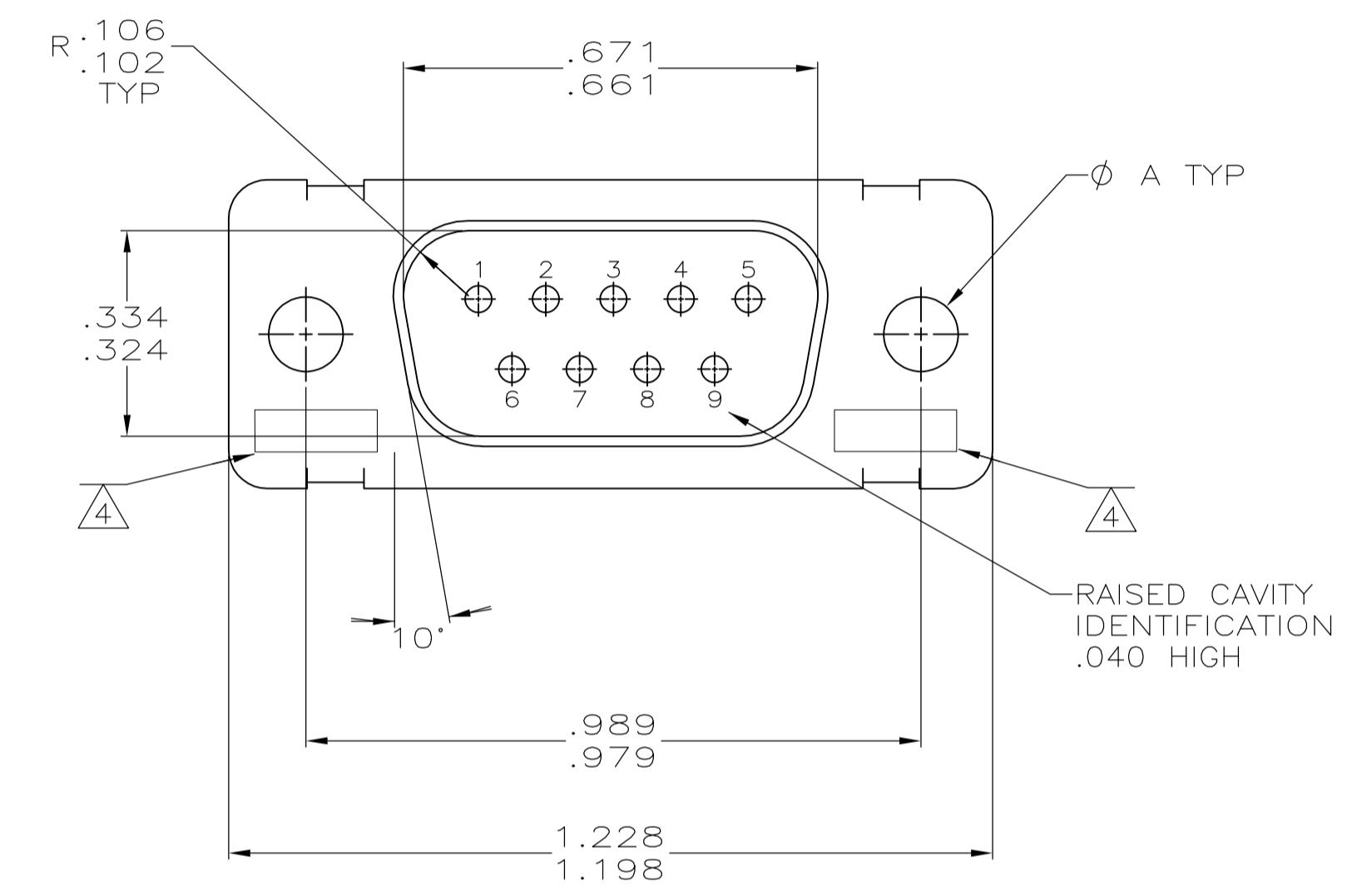


LOC		DIST		REVISIONS			
REV	DATE	BY	CHK	DESCRIPTION	DATE	DWN	APVD
L	REV PER	ECO-07-028237			29NOV07	PY	BW



1. THIS PLUG WILL MATE WITH ANY RECEPTACLE CONNECTOR WITH THE SAME INSERT ARRANGEMENT AS DEFINED BY MS18273-1.
2. MAXIMUM WIRE INSULATION USED WITH THIS PLUG IS .072 DIA.
3. BE CU RETENTION CLIPS ARE INCLUDED IN INSERTS.
4. UL/CSA DESIGNATION STAMPED IN THIS AREA.
5. THESE CONNECTORS ARE QUALIFIED TO GODDARD SPACE FLIGHT CENTER SPECIFICATION S-311-P-4.
6. CONNECTOR SUPPLIED WITHOUT CONTACTS; SHOWN FOR DIMENSIONAL REFERENCE ONLY.
7. CUSTOMER PART NUMBER MAY BE SPLIT BETWEEN FRONT AND REAR SHELLS, SAME SIDE. FAR SIDE REFERS TO WIDE SIDE OF KEYSTONE, NEAR SIDE REFERS TO NARROW SIDE OF KEYSTONE.
8. RESTRICTED TO CAE ELECTRONICS ONLY.

		.120	570513-6	207252-6	207252-6
	5 8	.120	311P409-1P-B-12	207252-2	207252-5
OBS		.120	2A014-001V-001	207252-4	207252-4
OBS		.120	---	207252-3	207252-3
	5	.120	311P409-1P-B-12	207252-2	207252-2
	5	.154	311P409-1P-B-15	207252-1	207252-1
	REMARKS	A	INK STAMP CUSTOMER P/N	INK STAMP AMP PART NUMBER	PART NUMBER

THIS DRAWING IS A CONTROLLED DOCUMENT.

DIMENSIONS: INCHES	TOLERANCES UNLESS OTHERWISE SPECIFIED:	DWN: THOMPSON 08-12-93	CHK: F. KINSEY 08-19-93	APVD: F. KINSEY 08-19-93	NAME: F. KINSEY	PRODUCT SPEC: ---	APPLICATION SPEC: ---	SIZE: A1	CAGE CODE: 00779	DRAWING NO: 207252	RESTRICTED TO: ---
MATERIAL: SEE CALLOUTS		FINISH: SEE CALLOUTS		WEIGHT: ---		CUSTOMER DRAWING		SCALE: 4:1	SHEET: 1 OF 1	REV: L	

Tyco Electronics Corporation
 Harrisburg, PA 17105-3608

PLUG FOR PIN CONTACTS
 SERIES 109, SIZE 1, NONMAGNETIC
 9 POSITION